

Notes:

1. Precast concrete chambers shall comply with BS 5911: Part 2000
 2. For invert details, number of branches, dia of chamber, dia of chamber rings and type of grating cover and frame see manhole and catchpit schedules
 3. Pipes to be built into manhole with class 1 mortar as detailed in the pipe schedule
 4. Cover and frame to BSEN 124 with 600mm clear opening to be sat on 15mm class 1 mortar bed, type MA-60
 5. Brickwork to BS 3921
 6. Galvanised step irons to BS 1247
 7. Orientation of chamber rings to be agreed with engineer
 8. Granolithic concrete to consist of 2 parts portland cement to 5 parts granite chippings and finished to a smooth trowelled surface. Chippings to pass a 10mm mesh and graded to dust
 9. Safety chains and handholes to be provided and step irons to be fixed in lower part of benching when outlet dia greater than 900mm
 10. Two pipe joints nearest to chamber to be flexible. Nearest joint no more than 300mm from wall.
- Suitability:
 Type A- For depth to benching not exceeding 3m
 Type B- For depth to benching between 3m and 6m

Pipe Ø	Min chamber Ø	Code
225-450mm	1050mm	2
525-900mm	1350mm	4
825-900mm	1500mm	5
975-1200mm	1800mm	6



Reproduced from the Ordnance Survey with the permission of The Controller of Her Majesty's Stationery Office. Crown Copyright TEP. The Environment Partnership, Genesis Centre, Birchwood Science Park, Warrington, Cheshire, WA3 7BH, Licence No. AL 52885A

Rev	Description	Drawn	Approved	Date



Genesis Centre
 Birchwood Science Park Warrington
 WA3 7BH
 Tel 01925 844004
 Fax 01925 844002
 e-mail tep@tep.uk.com

Project
 Ditton SRFP Implementation

Title
 Manhole detail

Dwg No
 D1058.08.023

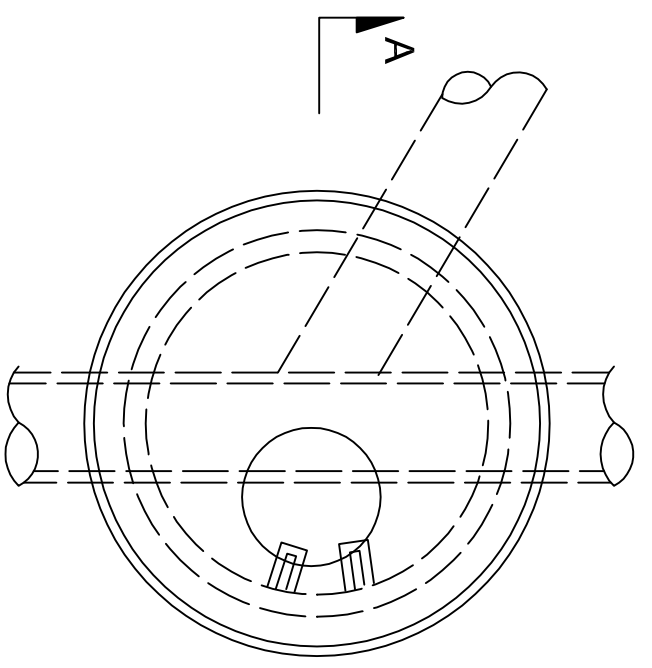
Scale
 NTS @ A3

Date
 28/07/06

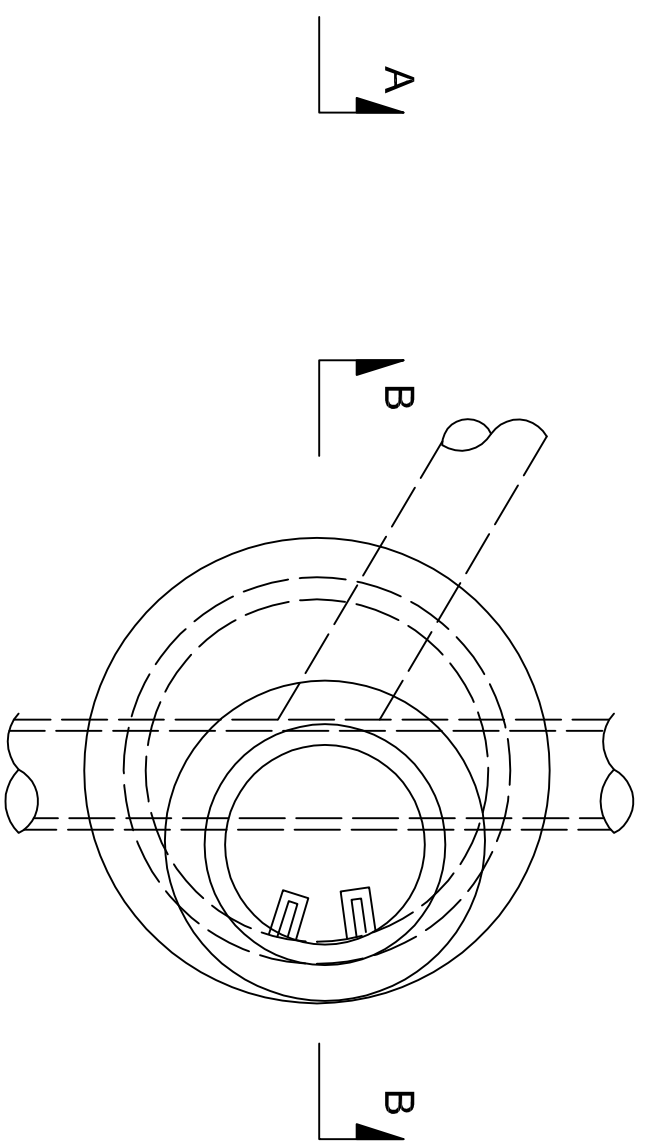
Drawn
 TP

Checked
 GDA

Approved
 GDA



PLAN A
 TYPE 'A' UPTO 3M DEEP



PLAN B
 TYPE 'B' 3 - 6M DEEP

Do not scale from this drawing