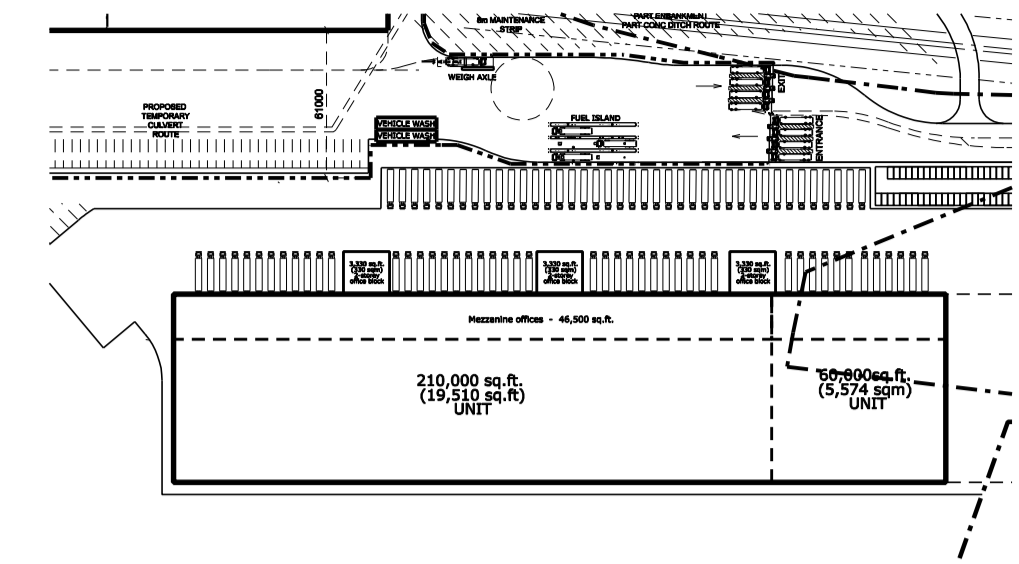
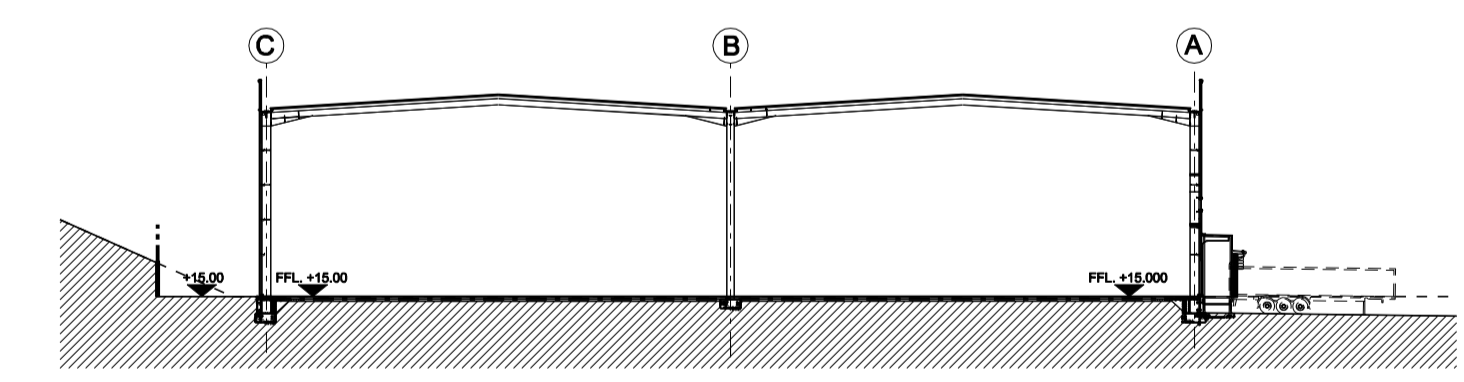
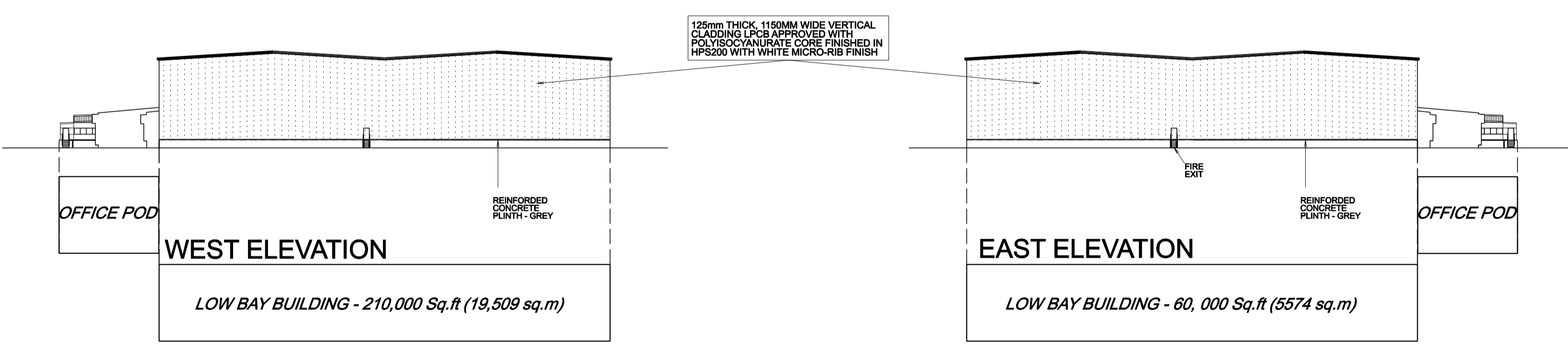
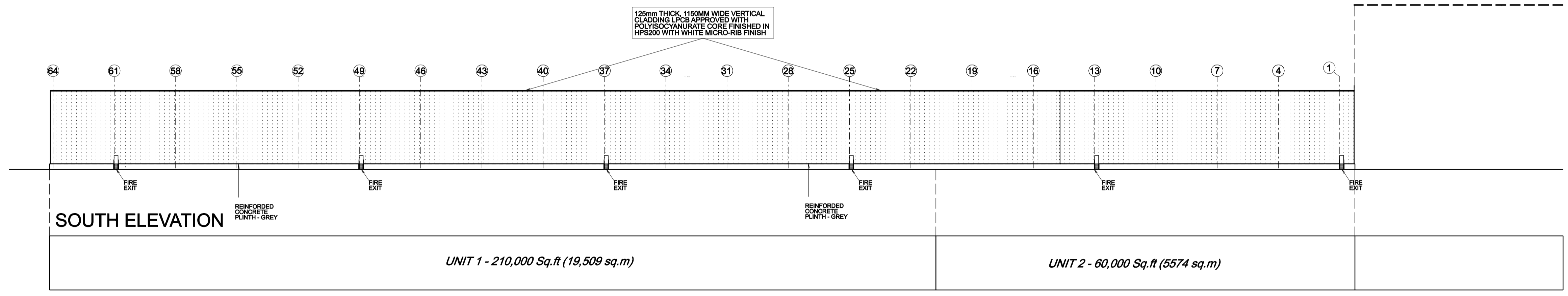
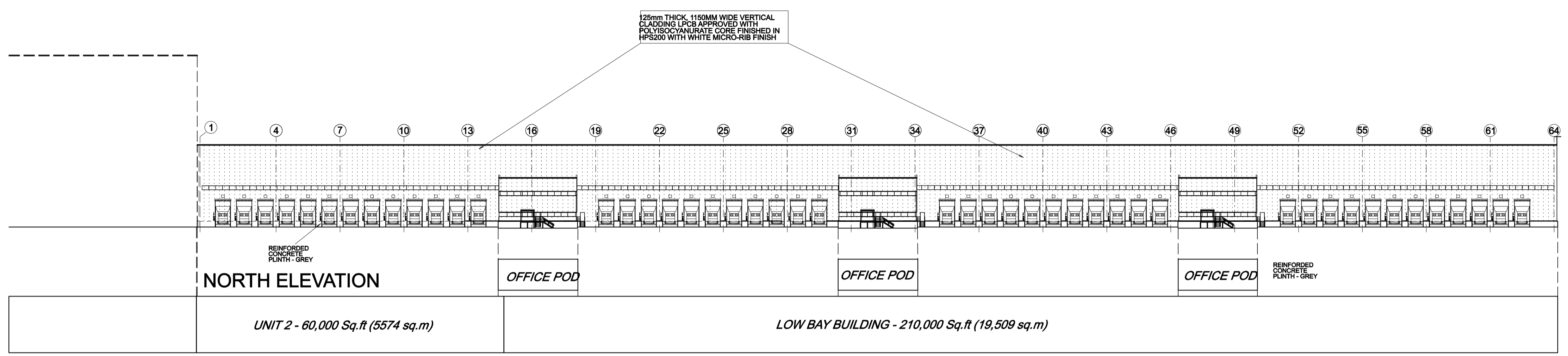


-Do not scale this drawing
 -Architects to be notified of discrepancies in figured dimensions
 -Contractors must check all dimensions from site
 -This drawing is copyright and is for use on this site only
 -For other information refer to the latest revision of any cross referenced drawing



LOCATION PLAN



REVISIONS

CLIENT



PROJECT TITLE

PROJECT SUN
 NORTHERN HIGH BAY

DRAWING TITLE

UNIT 2 ELEVATIONS

JOB NUMBER DRAWING NUMBER REVISION

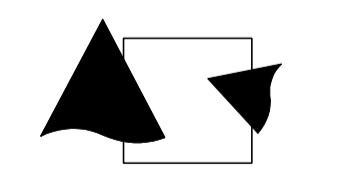
06026 WP06

DATE SCALE SHEET

OCT 07 1:625 A1

STATUS

PLANNING



ashton
 smith
 ASSOCIATES

Belvedere House, 2 Victoria Avenue,
 Harrogate, North Yorkshire HG1 1EL
 Tel: 01423 522882 Fax: 01423 565104
 info@ashtonsmith.co.uk
 www.ashtonsmith.co.uk

06026 PROJ SUN